

eWORKER

EW 25.5-60
EW 25.5-90

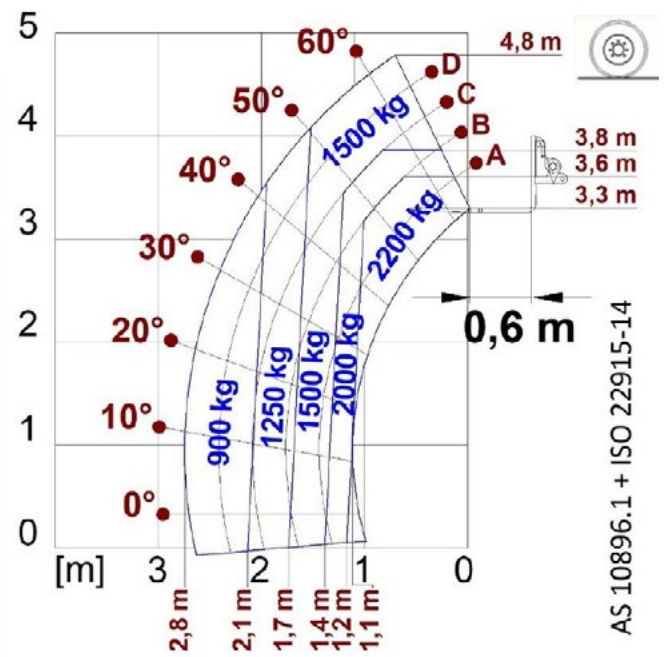




| PERFORMANCE AND FEATURES | EW 25.5-60 | EW 25.5-90 | |
|--|--------------------------|--|--|
| Prestazioni | | | |
| Unladen weight (kg) | 4950 | 4950 | |
| Maximum load capacity (kg) | 2500 | 2500 | |
| Lift height (m) | 4,8 | 4,8 | |
| Maximum reach (m) | 2,6 | 2,6 | |
| Load capacity at max. height (kg) | 1500 | 1500 | |
| Load capacity at max. reach (kg) | 900 | 900 | |
| Height - maximum load capacity (m) | 3,4 | 3,4 | |
| Reach at max. load capacity (m) | 1,15 | 1,15 | |
| Boom section | 2 | 2 | |
| PowerTrain | | | |
| Engine | | | |
| Battery (type and V) | | | |
| Nominal capacity | 960 Ah | 960 Ah | |
| Emissions | | | |
| MAX power (kW/CV) | 44/60 | 66/90 | |
| Maximum speed (km/h) | 25 | 25 | |
| Traction | | | |
| Autonomy (hours) | 8h | 8h | |
| Recharge time (hours) | 9h (220 V) | 9h (220 V) | |
| Recharge voltage | 220V / 400V | 220V / 400V | |
| Battery charger | ● | ● | |
| Hydraulic system | | | |
| Hydraulic pump | LS + FS | LS + FS | |
| Delivery/pressure (l/min-bar) | 42/210 | 42/210 | |
| Hydraulic outlet on top of the boom | ● | ● | |
| Rear hydraulic outlets | ○ | ○ | |
| Cab | | | |
| Closed cab | ○ | ○ | |
| FOPS LIV I and ROPS | ● | ● | |
| Controls | | | |
| Reverse shuttle | | | |
| Configuration | | | |
| Battery fast replacement | ● | ● | |
| Tac-lock | ● | ● | |
| Work lights on cab (LED) | ● | ● | |
| Rotating beacon and blue reverse light | ● | ● | |
| Two floating forks | ● | ● | |
| Hydropneumatic suspension BSS | ○ | ○ | |
| Two steering wheels | | | |
| Front standard tyres | AS 504 10,0/75-15,3 18PR | AS 504 10,0/75-15,3 18PR | |
| Rear standard tyres | AW702 10,0/75-15,3 18PR | AS 504 10,0/75-15,3 18PR | |
| Optional tyres | Liftmax LMB1 7,5R15 | Liftmax LMB1 7,5R15 TR315 31x15,5-15 12PR | |
| E-holder brakes | ● | ● | |
| Regenerative braking | ● | ● | |
| Automatic parking brake | ● | ● | |
| Pre-arrangement for aerial work platform | ○ | ○ | |
| Tractor type approval | - | ○ | |
| Carriage ZM2S | ● | ● | |

- Not Available
● Standard
○ Optional

Load charts

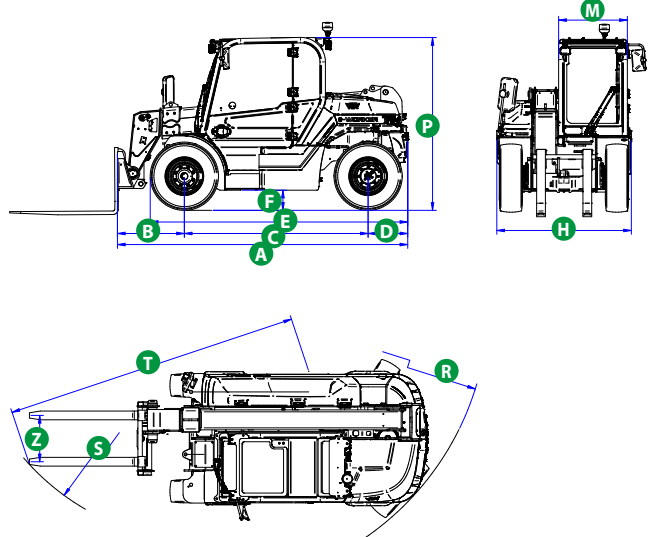


EWORKER

Dimensions



| | EW 25.5-60 | EW 25.5-90 | |
|--------|---------------|---------------|--|
| A (mm) | 3320 | 3320 | |
| B (mm) | 765 | 765 | |
| C (mm) | 2100 | 2100 | |
| D (mm) | 455 | 455 | |
| E (mm) | 2940 | 2940 | |
| F (mm) | 230 | 230 | |
| H (mm) | 1540 | 1540 | |
| M (mm) | 770 | 770 | |
| P (mm) | 1975 | 1975 | |
| R (mm) | 2850 | 3250 | |
| S (mm) | 2230 | 2700 | |
| T (mm) | 3365 | 3365 | |
| Z (mm) | 550 | 550 | |



Your Merlo dealer

EW25.5-60:

___ - VIN: ___ - SAV: ___ - ___

EW25.5-90:

___ - VIN: ___ - SAV: ___ - ___

MERLO GROUP AUSTRALIA PTY LTD

27 Colin Jamieson Dve, Welshpool (Perth), WA 6106

Tel. (08) 9358 3110 - Fax (08) 9358 4110

120 Toongabbie Road, Girraween, NSW 2145

Tel. (02) 9688 0600

Tel:1300 657 325

info@merloaustralia.com.au

www.merlo.com

