

ACCESSservice

TOWER
BOSS

480W LED



BTS 480



**62,400 LM
OUTPUT**

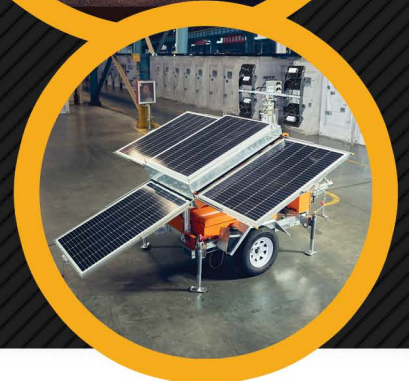


**42 HOURS
RUN TIME**



**1000W
SOLAR**

SOLAR LIGHTING TOWER



ACCESSservice

PHONE 1300 272 111

EMAIL SALES@ACCESSSERVICE.COM.AU

BRISBANE - SYDNEY - CANBERRA - MELBOURNE - PERTH - AUCKLAND

BTS 480 SPECIFICATIONS

PERFORMANCE

Runtime	42 Hours
Solar Recharge Time	50 Hours
AC Recharge Time	20 Hours

LED LIGHTS

Qty	4
Wattage	120w
Total Wattage	480w
Voltage	24v DC
Total Lumens	62,400

SOLAR

Qty	4
Wattage	250w
Total Wattage	1000w
Voltage	18v
Solar Charge	MPPT Controller

BATTERIES

Qty	8
Battery Type	Lead Acid
Battery Capacity	250Ah - 12v
Total Battery Capacity	1000Ah - 24v

MAST

Mast	4 Section Galvanised
Mast Operation	Electric
Light Head Tilt	Manual
Light Head Rotate	Manual

TRAILER

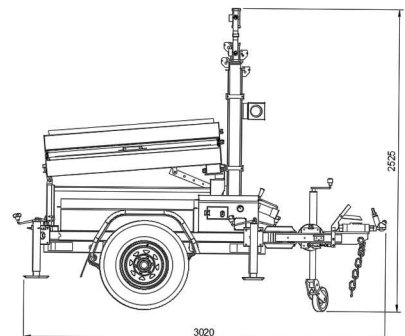
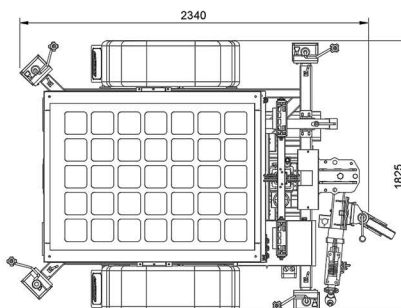
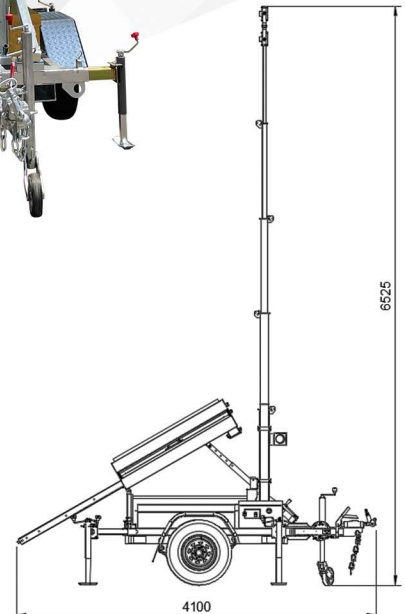
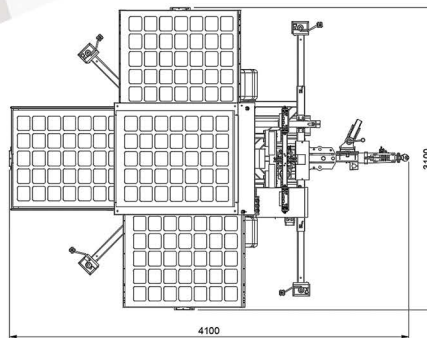
Chassis	Galvanised
Drawbar	Retractable Hinge Swing
Lifting Points	4
Tie Down Points	4
Outriggers	4 x Galvanised
Axle	Single - 1.5 Ton
Tow Hitch	50mm Ball
Brakes	Disc
Suspension	Leaf Spring
Rim Size	195/70R14
Wheel Chocks	2
Maximum Tow Speed	90 kmh

WEIGHT

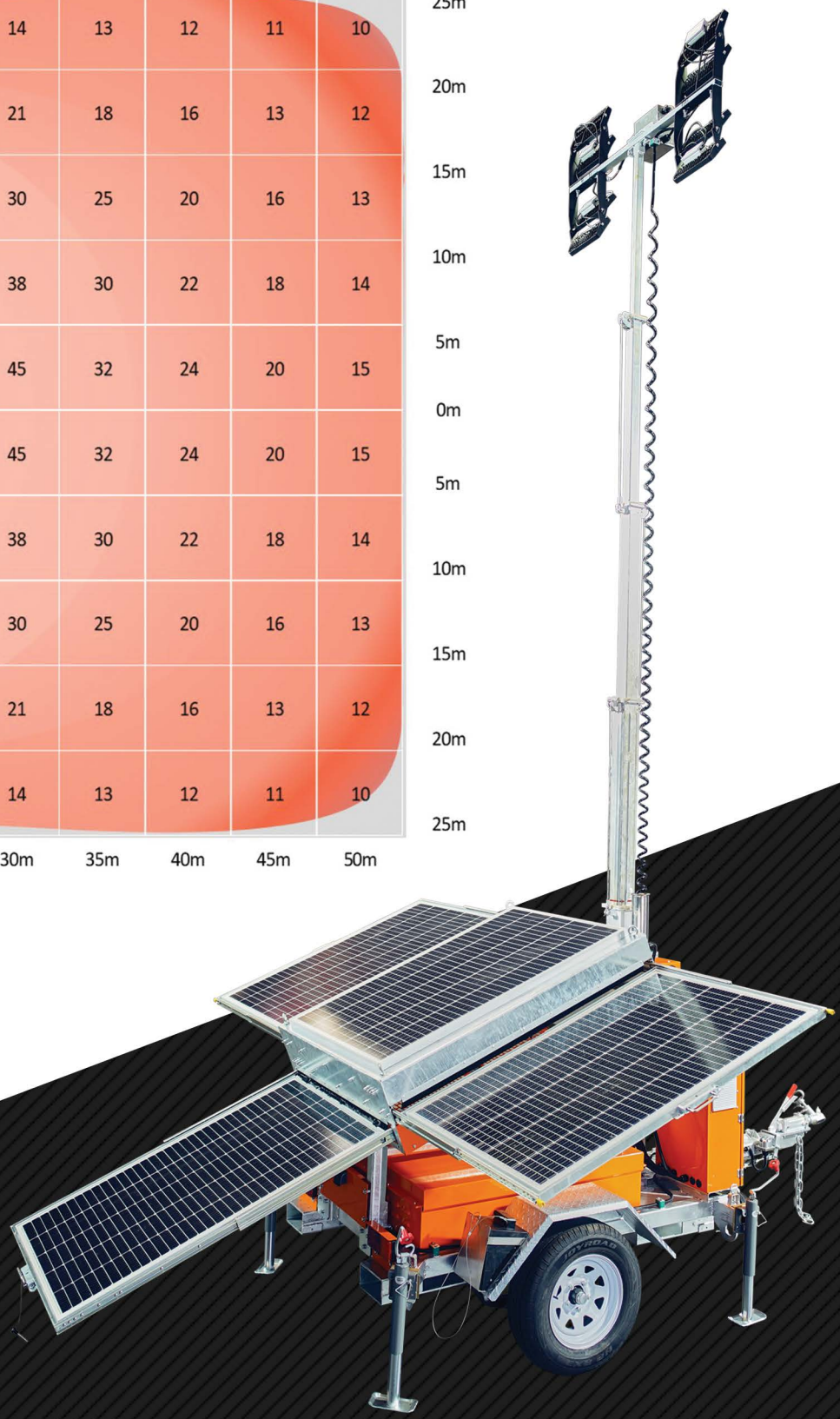
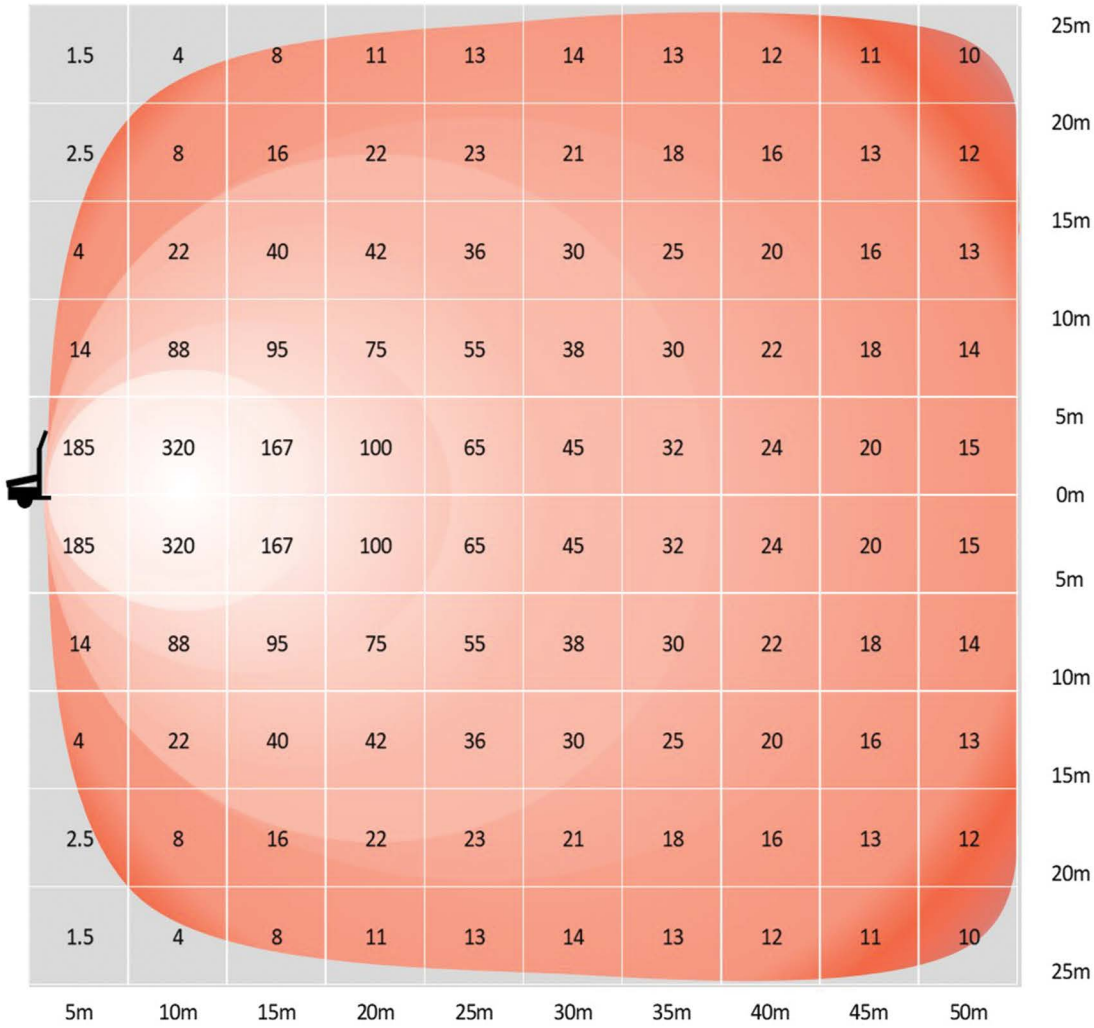
Tow Ball Weight	117 Kg
ATM	1385 Kg

OPTIONS

- Victron Controller
- Electric Light Head Rotator
- Battery Isolator
- 75mm Ring Hitch
- PIR Sensor
- Wheel Nut Indicators
- Custom Colour Choice



LIGHT SIMULATION



BTS 480