

Compact Telehandlers

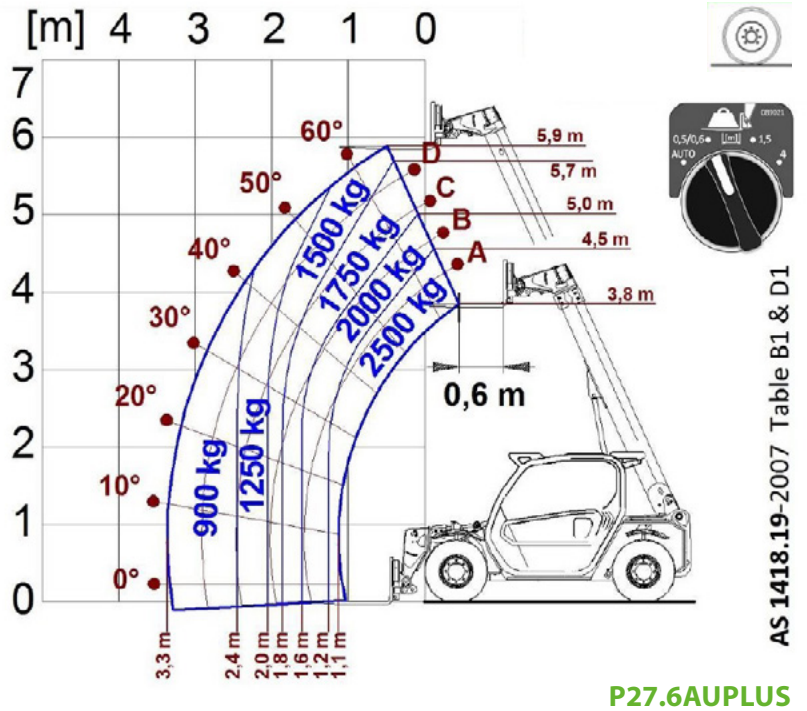
P27.6AU PLUS





PERFORMANCE AND FEATURES	P27.6 AU PLUS		
Performance			
Total unladen weight (kg)	4850		
Maximum capacity (kg)	2500		
Lifting height (m)	5.9		
Maximum reach (m)	3.3		
Maximum operating height (m)	4.6		
Maximum operating reach (m)	1.2		
Capacity at maximum height (kg)	1800		
Capacity at maximum reach (kg)	1000		
Lateral boom movement (mm)	-		
Tilting correction (%)	-		
Boom sections	2		
PowerTrain			
Turbo motor	KOHLER KD2504 TCR		
Displacement/cylinders	2500/4		
Engine Power (kW/HP)	55,4/75,1		
Anti-pollution technology	TIER 4 - DOC		
Reversible fan	-		
Maximum speed (km/h)	40		
Fuel tank (l)	70		
AdBlue tank (l)	-		
Hydrostatic transmission	● - 1V		
EPD	-		
Auto-revving joystick	-		
Axles - Reducers	Axial, Epicyclic		
Machine brakes	Dry disc		
Automatic parking brake	●		
Hydraulic			
Hydraulic pump	Gear		
Flow rate/pressure (l/min - bar)	95-210		
Hydraulic tank	70		
Hydraulic outlet at the top of the boom	●		
Rear hydraulic outlets	○		
Cab			
Cab configuration	ECO		
ASCS Adaptive Stability Control System	Full		
FOPS LIV II cab	●		
ROPS cab	●		
Cab commands	Electromechanic joystick		
Tilting Cab	-		
Reverse shuttle	Finger touch		
Configuration			
Cab suspension	-		
Boom suspension	●		
Suspension on axles	-		
Work headlights on cab	○		
Sun blind	○		
Tac-lock	●		
Provision for a platform	○		
Two floating forks	●		
Inching-Control	●		
Four-wheel drive	●		
Four-wheel steering	●		
Three steering modes	●		
Standard tyres	12-16.5		
Optional tyres	12/75-18; 300/80-15.3		
Stabilisers	-		
Turret rotation	-		
Type approval as an agricultural tractor	-		
Approval with PNEUMATIC braking	-		
Approval with HYDRAULIC braking	-		
PTO	-		
3-point linkage	-		

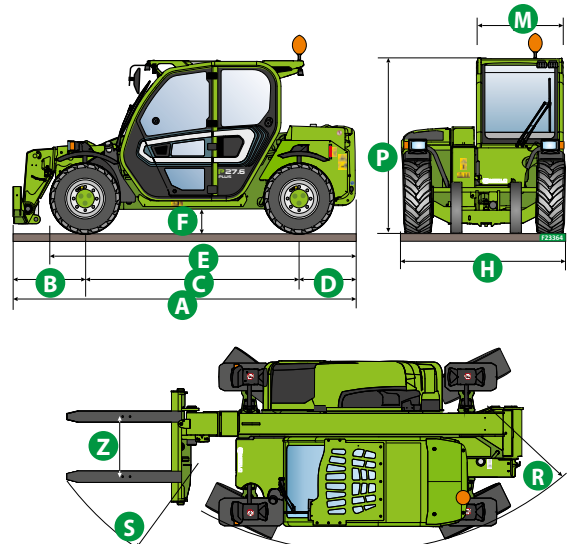
- Not Available
● Standard
○ Optional



Dimensions



	P27.6 AU PLUS		
A (mm)	3910		
B (mm)	820		
C (mm)	2450		
D (mm)	640		
E (mm)	3495		
F (mm)	270		
H (mm)	1860		
M (mm)	1010		
P (mm)	1960		
R (mm)	3370		
S (mm)	4200		
Z (mm)	850		



Your Merlo dealer

P27.6AUPLUS:

MA00802 - VIN: D1005633 - SAV: D146213 - 15/11/2021

MERLO GROUP AUSTRALIA PTY LTD

27 Colin Jamieson Dve, Welshpool (Perth), WA 6106

Tel. (08) 9358 3110 - Fax (08) 9358 4110

120 Toongabbie Road, Girraween, NSW 2145

Tel. (02) 9688 0600

Tel:1300 657 325

info@merloaustralia.com.au

www.merlo.com

