

Medium Capacity Telehandlers

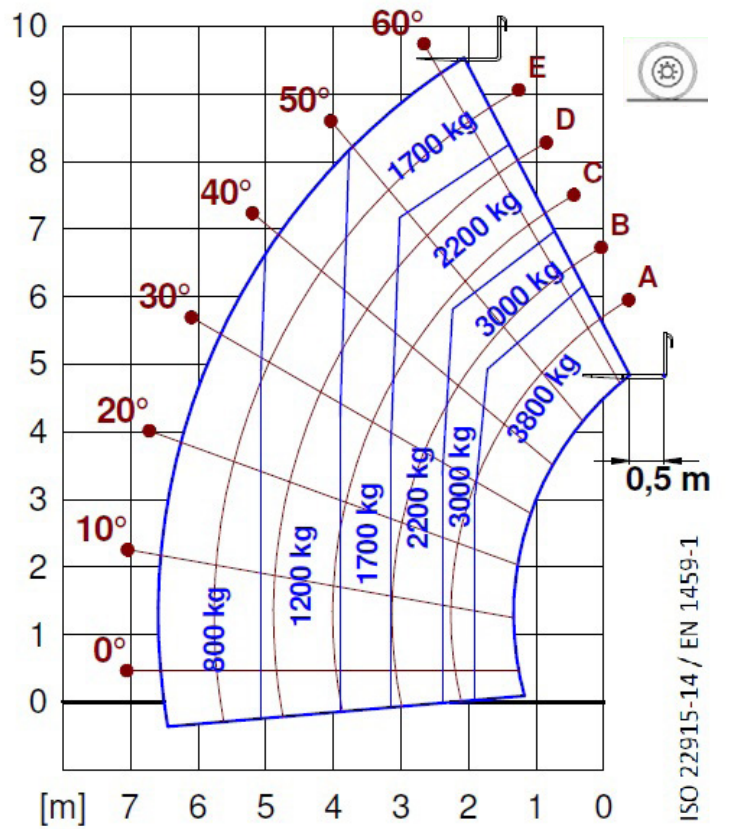
TF38.10-116





PERFORMANCE AND FEATURES	TF38.10-116	TF38.10 CS-116	
Performance			
Total unladen weight (kg)	8300	8500	
Maximum capacity (kg)	3800	3800	
Lifting height (m)	9,5	9,5	
Maximum reach (m)	6,6	6,6	
Maximum operating height (m)	6,1	6,1	
Maximum operating reach (m)	1,9	1,9	
Capacity at maximum height (kg)	1700	1700	
Capacity at maximum reach (kg)	800	800	
Lateral boom movement (mm)	-	-	
Tilting correction (%)	-	-	
Boom sections	3	3	
PowerTrain			
Turbo motor	PERKINS 904J	PERKINS 904J	
Displacement/cylinders	3600/4	3600/4	
Engine Power (kW/HP)	85,9/116,8	85,9/116,8	
Anti-pollution technology	STAGE V, SCR+DPF+DOC	STAGE V, SCR+DPF+DOC	
Reversible fan	●	●	
Maximum speed (km/h)	40	40	
Fuel tank (l)	140	140	
AdBlue tank (l)	18	18	
Hydrostatic transmission	● - 2V	● - 2V	
EPD	Plus	Plus	
Auto-revving joystick	●	●	
Axles - Reducers	Drop portal - RR700	Drop portal - RR700	
Machine brakes	Dry disc	Dry disc	
Automatic parking brake	●	●	
Hydraulic			
Hydraulic pump	LS+FS	LS+FS	
Flow rate/pressure (l/min - bar)	151-250	151-250	
Hydraulic tank	100	100	
Hydraulic outlet at the top of the boom	●	●	
Rear hydraulic outlets	○	○	
Cab			
Cab configuration	ECO	ECO	
ASCS Adaptive Stability Control System	Light	Light	
FOPS LIV II cab	●	●	
ROPS cab	●	●	
Cab commands	Electronic joystick	Electronic joystick	
Tilting Cab	-	-	
Reverse shuttle	Dual reverse	Dual reverse	
Configuration			
Cab suspension	-	●	
Boom suspension	○	○	
Suspension on axles	-	-	
Work headlights on cab	●	●	
Sun blind	○	○	
Tac-lock	●	●	
Provision for a platform	○	○	
Two floating forks	●	●	
Inching-Control	●	●	
Four-wheel drive	●	●	
Four-wheel steering	●	●	
Three steering modes	●	●	
Standard tyres	400/70-24"	400/70-24"	
Optional tyres	460/70-R24	460/70-R24	
Stabilisers	-	-	
Turret rotation	-	-	
Type approval as an agricultural tractor	○	○	
Approval with PNEUMATIC braking	○	○	
Approval with HYDRAULIC braking	○	○	
PTO	-	-	
3-point linkage	-	-	

- Not Available
● Standard
○ Optional

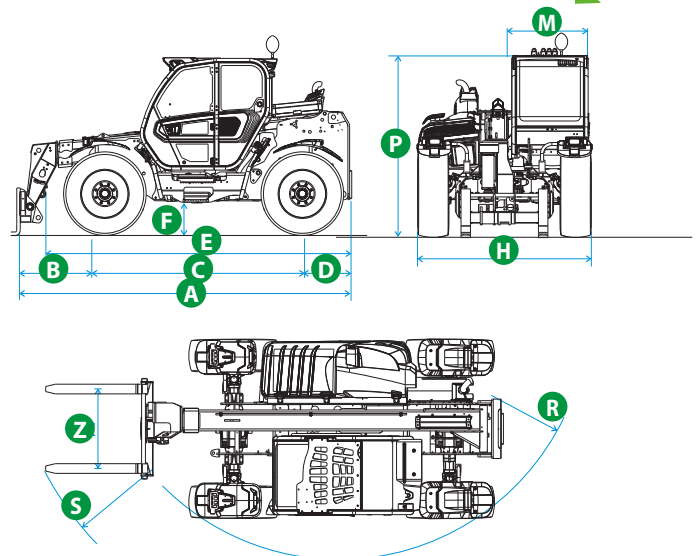


TF38.10-116

Dimensions



	TF38.10 -116		
A (mm)	4760		
B (mm)	1245		
C (mm)	2810		
D (mm)	705		
E (mm)	4104		
F (mm)	460		
H (mm)	2310		
M (mm)	1010		
P (mm)	2530		
R (mm)	3985		
S (mm)	4800		
Z (mm)	850		



Your Merlo dealer



MERLO S.P.A.

Via Nazionale, 9
12010 S. Defendente di Cervasca, (Cuneo) Italia
Tel. +39 0171 614111
Fax +39 0171 684101

info@merlo.com
www.merlo.com

