

Medium Capacity Telehandlers

TF42.7TTCS-145, TF38.10TTCS-145

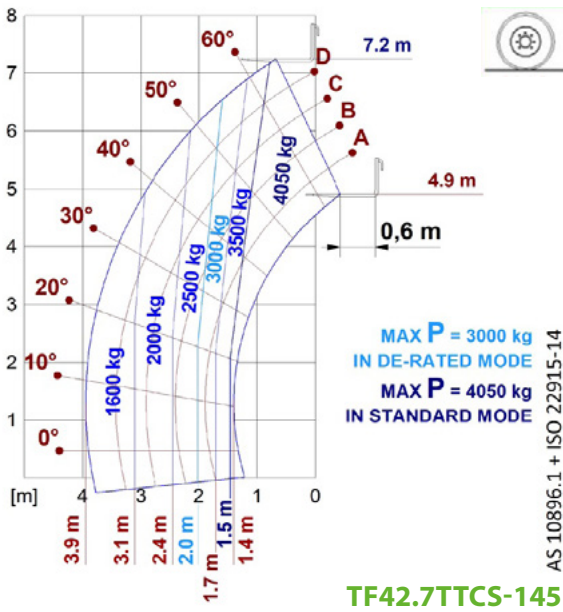




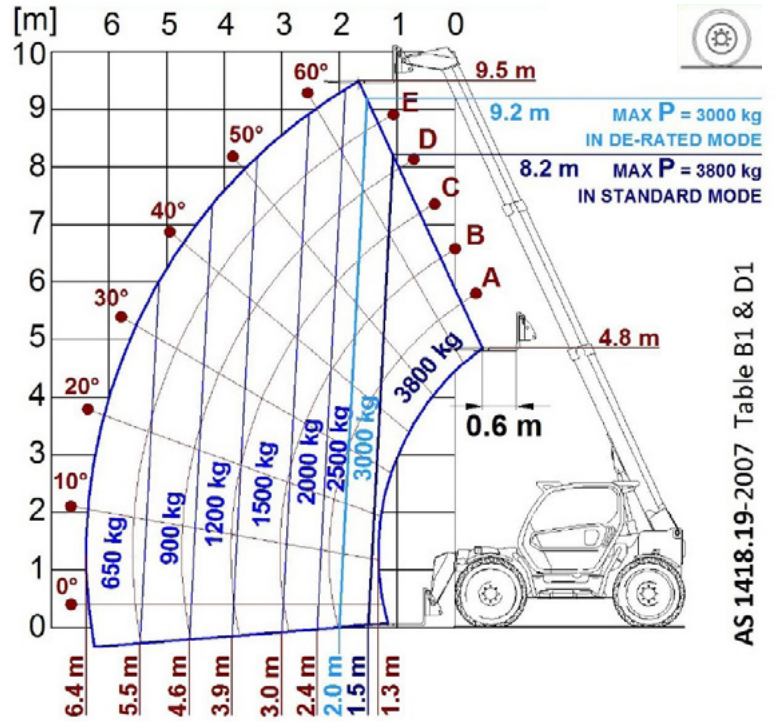
PERFORMANCE AND FEATURES	TF42.7TTCS-145	TF38.10TTCS-145	
Performance			
Total unladen weight (kg)	8200	8800	
Maximum capacity (kg)	4005	3800	
Lifting height (m)	7.2	9.5	
Maximum reach (m)	3.8	6.6	
Maximum operating height (m)	7.2	8.6	
Maximum operating reach (m)	1.5	1.9	
Capacity at maximum height (kg)	4200	3000	
Capacity at maximum reach (kg)	1750	800	
Lateral boom movement (mm)	± 150	± 180	
Tilting correction (%)	± 8	± 8	
Boom sections	2	3	
PowerTrain			
Turbo motor	DEUTZ TCD3.6	DEUTZ TCD3.6	
Displacement/cylinders	3600/4	3600/4	
Engine Power (kW/HP)	105/143	105/143	
Anti-pollution technology	STAGE V, SCR+DPF+DOC	STAGE V, SCR+DPF+DOC	
Reversible fan	●	●	
Maximum speed (km/h)	40	40	
Fuel tank (l)	140	140	
AdBlue tank (l)	18	18	
Hydrostatic transmission	● - 2V	● - 2V	
EPD	Plus	Plus	
Auto-revving joystick	●	●	
Axles - Reducers	Drop portal - RR700	Drop portal - RR700	
Machine brakes	Dry disc	Dry disc	
Automatic parking brake	●	●	
Hydraulic			
Hydraulic pump	LS+FS	LS+FS	
Flow rate/pressure (l/min - bar)	150-250	150-250	
Hydraulic tank	100	100	
Hydraulic outlet at the top of the boom	●	●	
Rear hydraulic outlets	○	○	
Cab			
Cab configuration	ECO	ECO	
ASCS Adaptive Stability Control System	Full	Full	
FOPS LIV II cab	●	●	
ROPS cab	●	●	
Cab commands	Electronic joystick	Electronic joystick	
Tilting Cab	-	-	
Reverse shuttle	Dual reverse	Dual reverse	
Configuration			
Cab suspension	●	●	
Boom suspension	○	○	
Suspension on axles	-	-	
Work headlights on cab	●	●	
Sun blind	○	○	
Tac-lock	●	●	
Provision for a platform	○	○	
Two floating forks	●	●	
Inching-Control	●	●	
Four-wheel drive	●	●	
Four-wheel steering	●	●	
Three steering modes	●	●	
Standard tyres	400/70-24	400/70-24	
Optional tyres	460/70-R24	460/70-R24	
Stabilisers	-	-	
Turret rotation	-	-	
Type approval as an agricultural tractor	○	○	
Approval with PNEUMATIC braking	○	○	
Approval with HYDRAULIC braking	○	○	
PTO	-	-	
3-point linkage	-	-	

- Not Available
● Standard
○ Optional

Load charts



TF42.7TTCS-145

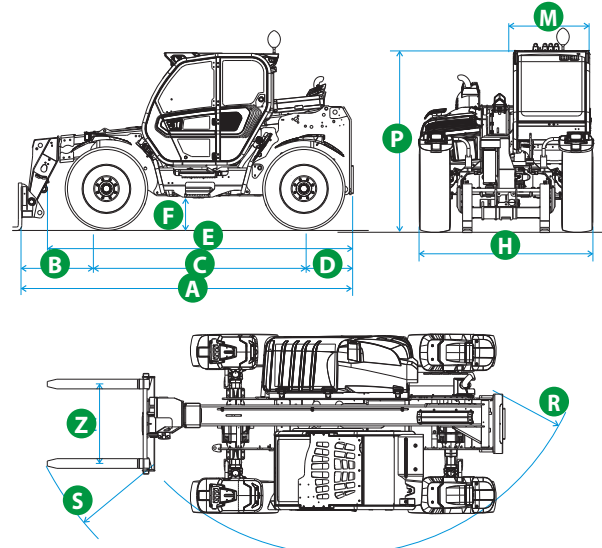


TF38.10TTCS-145

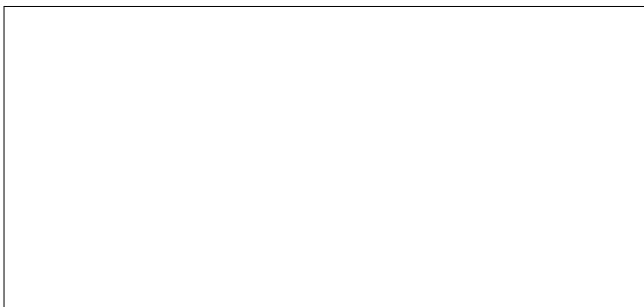
Dimensions



	TF42.7 TT CS-145	TF38.10 TT CS-145	
A (mm)	4730	4760	
B (mm)	1215	1245	
C (mm)	2810	2810	
D (mm)	705	705	
E (mm)	4104	4104	
F (mm)	460	460	
H (mm)	2310	2310	
M (mm)	1010	1010	
P (mm)	2530	2530	
R (mm)	3985	3985	
S (mm)	4800	4800	
Z (mm)	850	850	



Your Merlo dealer



TF42.7TTCS-145:

MA00837 - VIN: D1002673 - SAV: D120522 - 19/05/2021

TF38.10TTCS-145:

MA00838 - VIN: D1000081 - SAV: D102521 - 15/01/2021

MERLO GROUP AUSTRALIA PTY LTD

27 Colin Jamieson Dve, Welshpool (Perth), WA 6106

Tel. (08) 9358 3110 - Fax (08) 9358 4110

120 Toongabbie Road, Girraween, NSW 2145

Tel. (02) 9688 0600

Tel:1300 657 325

info@merloaustralia.com.au

www.merlo.com

