

**LIUGONG**  
AUSTRALIA

# 2020G-C

3-SERIES FORKLIFT

ENGINE  
PSI 4G64 LPG 2.4L

RATED POWER  
62 hp

CAPACITY  
1,814 kg





# SPECIFICATIONS

## GENERAL

Power type	2	LPG
Base capacity	3	1,814 kg
Load center	4	24 in

## WEIGHTS

Service weight	5	unloaded	3,343 kg
Axle load	6	loaded / unloaded, front	4,654.3 / 1,413.9 kg
	7	loaded / unloaded, rear	634.6 / 1,929.1 kg

## TIRES

Tire type	8	Cushion	
Wheels	9	front / rear	2 / 2
Wheelbase	10		1,485.9 mm
Tire size	11	front	21x7-15 PR
	12	rear	16x5x10-1/2 PR
Tread width	13	front / rear	889 / 919.5 mm

## MAST

Max. fork height	14	with std 2-stage mast	2,999.7 mm
Free lift	15	with std 2-stage mast	139.7 mm
Height, upright lowered	16	with std 2-stage mast	2,131.1 mm
Height, upright extended	17	with std 2-stage mast	4,097 mm
Mast tilt, fwd, back	18	with std 2-stage mast	6° / 12°
Carriage	19	width	919.5 mm
Fork spread	20	minimum / maximum	220 / 881.4 mm
Fork dimensions	21	T x W x L (mm)	40.6 x 99.1 x 1,069.3

## CHASSIS

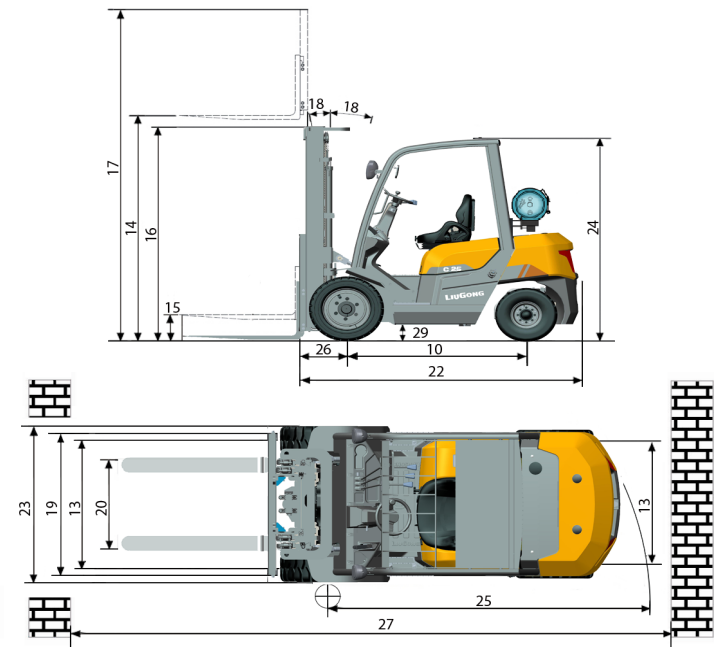
Length to fork face	22	with std 2-stage mast	2,291.1 mm
Overall width	23		1,099.8 mm
Overhead guard height	24		2,120.9 mm
Turning radius	25	minimum outside	1,950.7 mm
Fork overhang	26	with std 2-stage mast	424.2 mm
Right angle stack	27	add load length and clearance	3,594.1 mm
Ground clearance	28	minimum loaded	88.9 mm
	29	center of wheelbase	139.7 mm

## Performance

Travel speed	30	loaded / unloaded	17 / 17.5 km/h
Lift speed	31	loaded / unloaded	0.6 / 0.65m/s
Lower speed	32	loaded / unloaded	0.5 / 0.5 m/s
Max. drawbar pull	33	loaded	1,995.8 kg
Max. gradeability	34	loaded / unloaded	35 / 25 %

## Systems

Brakes	35	service	Foot / hyd
	36	parking	Hand / mech
Engine	37	manufacturer	PSI
	38	model	4G64
	39	emission compliance	EPA 4F
	40	cylinders	4
	41	displacement	2.4 liter
	42	rated power	46kw / 2,700 (rpm)
	43	max. torque	168Nm / 1600 (rpm)



## LGNA-SS-2025G-3-20211011-ENG-US

Specifications and designs are subject to change without notice.  
Machines shown may include optional equipment.

LiuGong Machinery Australia Pty. Ltd.  
22 Agosta Drive  
Laverton North Victoria  
3026 AUS

www.liugongna.com.au T: +61 03 8539 7716