

LIUGONG
AUSTRALIA

2025G-3

3-SERIES FORKLIFT

ENGINE
Kubota (LPG or Dual Fuel)

RATED POWER
59 hp

CAPACITY
2,267 kg



SPECIFICATIONS

EXCLUSIVELY FOR DEALER

GENERAL

Power type	2	Gasoline / LPG
Base capacity	3	2,267 kg
Load center	4	24 in

WEIGHTS

Service weight	5	unloaded	3,850 kg
Axle load	6	loaded / unloaded, front	5,620 / 1,578 kg
	7	loaded / unloaded, rear	730 / 2,273 kg

TIRES

Tire type	8	Pneumatic	
Wheels	9	front / rear	2 / 2
Wheelbase	10	1,648.5 mm	
Tire size	11	front	7.00-12-12 PR
	12	rear	6.00-9-10 PR
Tread width	13	front / rear	37.8 / 36.3 in

MAST

Max. fork height	14	with std 2-stage mast	2,997 mm
Free lift	15	with std 2-stage mast	144.8 mm
Height, upright lowered	16	with std 2-stage mast	2,174.2 mm
Height, upright extended	17	with std 2-stage mast	4,086.9 mm
Mast tilt, fwd, back	18	with std 2-stage mast	6° / 12°
Carriage	19	width	1,038.9 mm
Fork spread	20	minimum / maximum	228.6 / 1,008.4 mm
Fork dimensions	21	T x W x L (mm)	38.1 x 99 x 1,066.8

CHASSIS

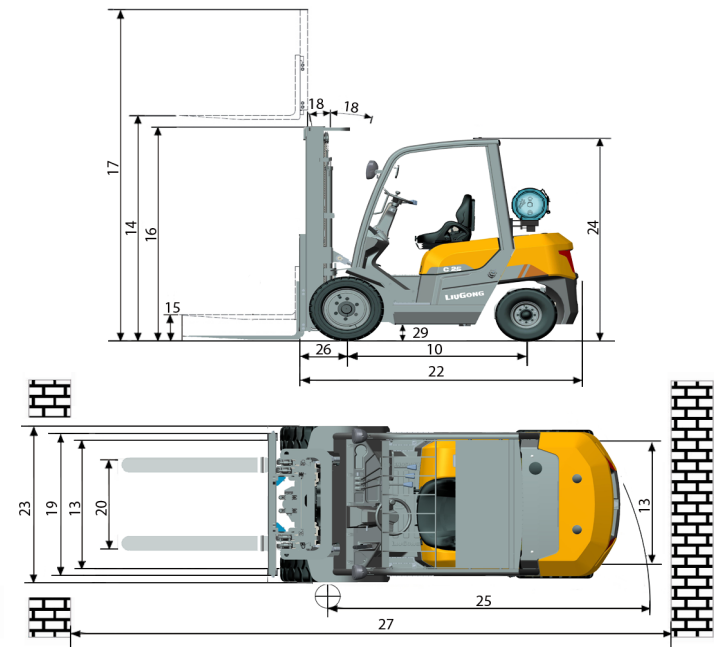
Length to fork face	22	with std 2-stage mast	2,527.3 mm
Overall width	23	1,148.1 mm	
Overhead guard height	24	2,179.3 mm	
Turning radius	25	minimum outside	2,278.4 mm
Fork overhang	26	with std 2-stage mast	459.7 mm
Right angle stack	27	add load length and clearance	4,010.7 mm
Ground clearance	28	minimum loaded	119.4 mm
	29	center of wheelbase	144.8 mm

Performance

Travel speed	30	loaded / unloaded	11 / 11.5 km/h
Lift speed	31	loaded / unloaded	0.7 / 0.73 m/s
Lower speed	32	loaded / unloaded	0.5 / 0.4 m/s
Max. drawbar pull	33	loaded	1,799.9 kg
Max. gradeability	34	loaded / unloaded	20 / 31 %

Systems

Brakes	35	service	Foot / hyd
	36	parking	Hand / mech
Engine	37	manufacturer	Kubota
	38	model	WG2503
	39	emission compliance	EPA certified
	40	cylinders	4
	41	displacement	2.5 liter
	42	rated power	59 hp
43	max. torque	128 / 221.2 kg/m (rpm)	



LGNA-SS-2025G-3-20211011-ENG-US

Specifications and designs are subject to change without notice.
Machines shown may include optional equipment.

LiuGong Construction Machinery N.A., LLC.
22220 Merchants Way - Suite 100
Katy, TX 77449
USA

T: 281-579-8882
www.liugongna.com

F: 281-579-8388