

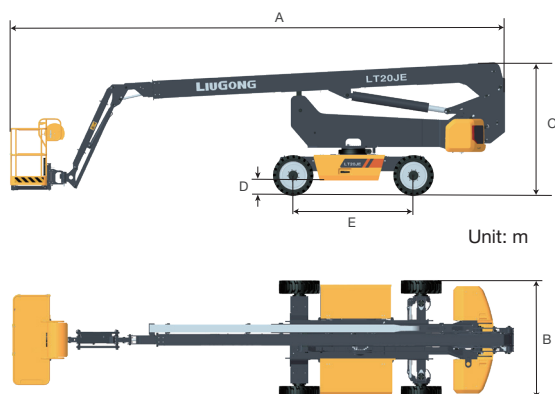


Standard Features

- Non-Marking Tyres
- LiFePO4 Lithium Battery
- Up & Over Telescopic Boom

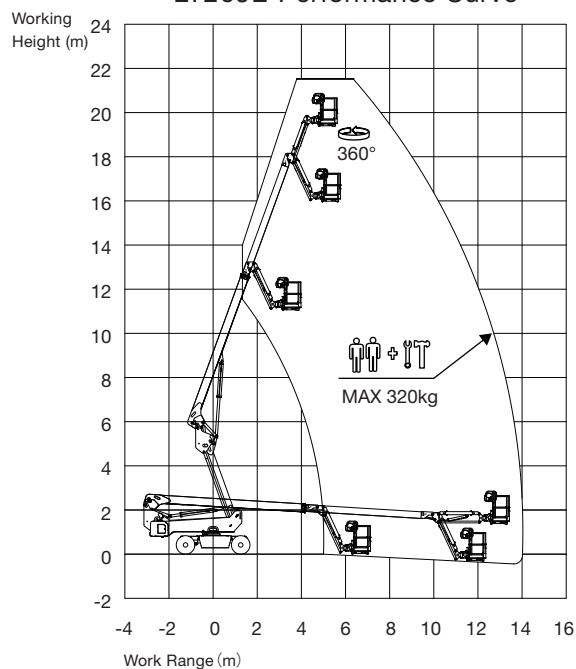
Working Height Max.	21.5 m (70'6")
Overall Lift Capacity Max.	320 kg (705.5 lb)
Overall Width	2.29-2.42 m (7'6"-7'11")
Overall Length	10.2 m (33'6")
Overall Weight	9,500 kg (20,943.9 lb)

LT20JE-Li
Electric Boom
Lifts Telescopic



Unit: m

LT20JE Performance Curve



DIMENSIONS

Working Height Max.	21.5 m (70'6")
Platform Height Max.	19.5 m (64')
Turntable Tailswing (Stowed Raised)	1.95 / 1.55 m (6'5" / 5'1")
Maximum Operating Range	14 m (45'11")
Overall Height (Transport)	2.67 m (8'9")
Turret Rotation	360° Continuous
Platform Size (LxWxH)	1.8 × 0.76 × 1.1 m (5'11" × 2'6" × 3'7")
A. Height (Stowed)	2.75 m (9')
B. Length (Stowed)	10.2 m (33'6")
C. Width (Stowed)	2.42 m (7'11")
D. Wheelbase	2.5 m (8'2")
Ground Clearance	0.31 m (1')
Width (Transport)	2.29 m (7'6")
Turning Radius (Inside/Outside)	2.4 / 5.5 m (7'10" / 18'1")
Tire Size (Solid)	330 × 120-200 mm (1'1" × 5'-8")

PRODUCTIVITY

Overall Lift Capacity	320 kg (705.5 lb)
Platform Occupancy Max.	2
Gradeability	45 %
Drive Speed (Stowed)	5 km/h (3.1 mph)
Drive Speed (Raised)	1 km/h (0.62 mph)
Maximum Working Slope	X -5° / Y -5°
Platform Rotation	± 90°
Vertical Jib Rotation (Up/Down)	- 65° ~ + 70°
Drive Steering Type	4WD x 2WS

POWER

Battery	LiFePO4 48 V / 460 Ah
Charger	48 V / 60 A
Lift Motor	31 VAC / 10 kW
Drive Motor	32 VAC / 3.3 kW
Hydraulic Tank Capacity	93 L (24.5 gal)

WEIGHT

Overall Weight	+1' " " kg (\$" ,+&& lb)
----------------	--------------------------

Access Service Australia & New Zealand

Head Office: 71 Bradman St Acacia Ridge QLD 4110
T: AU 1300 272 111 / NZ 0800 272 112
E: sales@accessservice.com.au

02/2025 Access Service



accessservice.com.au